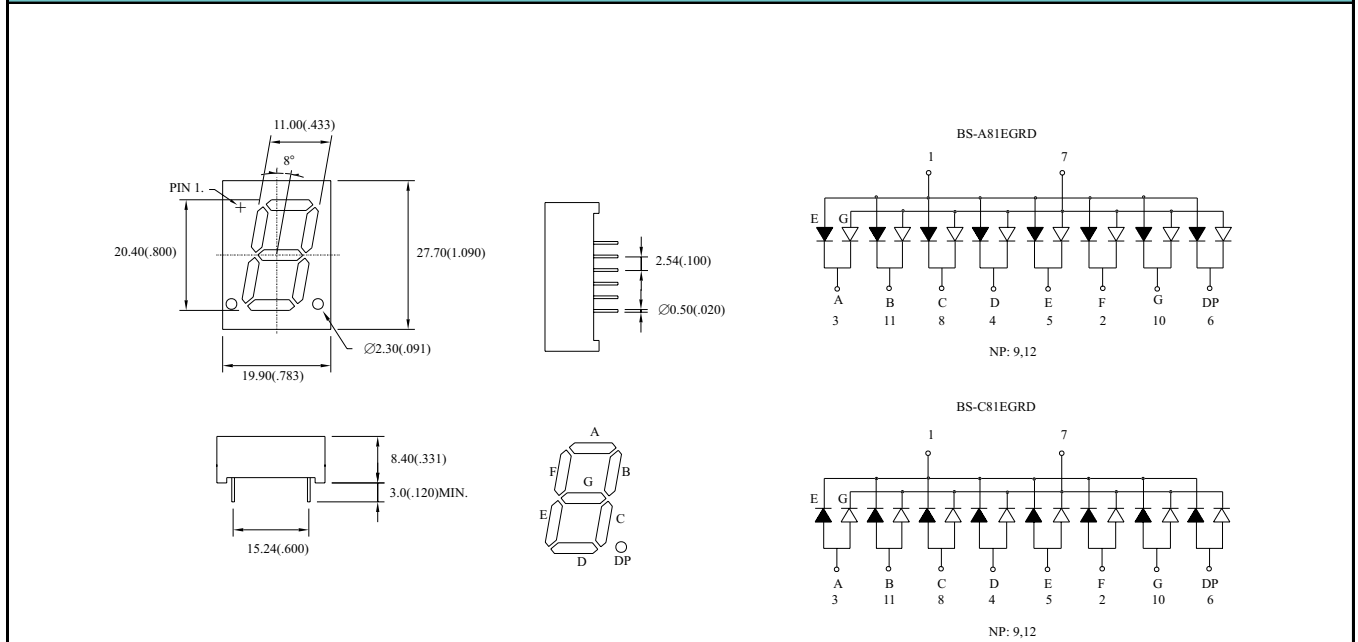




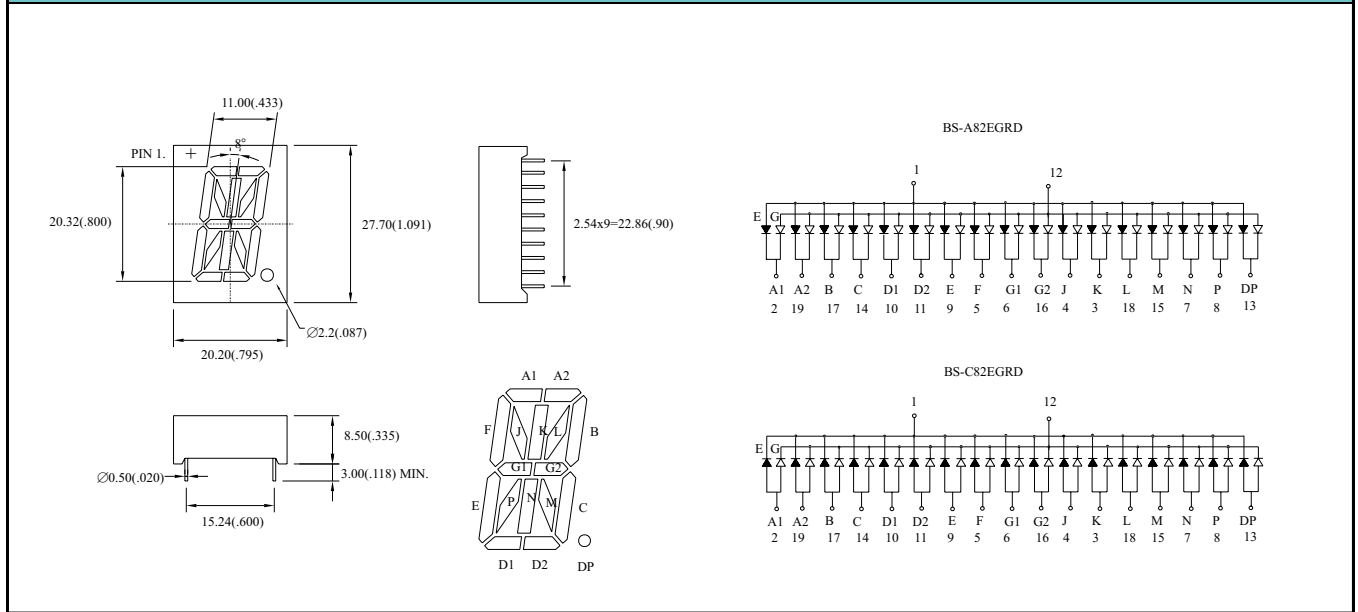
MULTI-COLOR LED DISPLAYS

Digit Size	Part No.		Chip		Absolute Maximum Ratings				Electro-optical Data(At 10mA)			Drawing No.
	Common Anode	Common Cathode	Material/Emitted Color	Peak Wave Length λ_p (nm)	$\Delta \lambda$ (nm)	Pd (mw)	If (mA)	Ifp (mA)	Vf (v)		Iv. Typ. Per.Seg. (mcd)	
									Typ.	Max.		
0.80" Single-Digit	BS-A81EGRD	BS-C81EGRD	GaAsP/GaP/ Hi-Eff.Red	635	45	80	30	150	2.2	2.5	2.5	SD-67
			GaP/ Green	568	30	80	30	150	2.0	2.5	3.0	
0.80" Alpha-Numeric Displays	BS-A82EGRD	BS-C82EGRD	GaAsP/GaP/ Hi-Eff.Red	635	45	80	30	150	2.2	2.5	2.5	SD-68
			GaP/ Green	568	30	80	30	150	2.0	2.5	3.0	

SD-67 BS-A₈C81EGRD



SD-68 BS-A₈C82EGRD



NOTES: 1.All Dimensions are in millimeters(inches).
 2.Tolerance is $\pm 0.25\text{mm}(0.010")$.
 3.Specifications are subject to change without notice.
 4.NP:No Pin. 5.NC:No Connect.