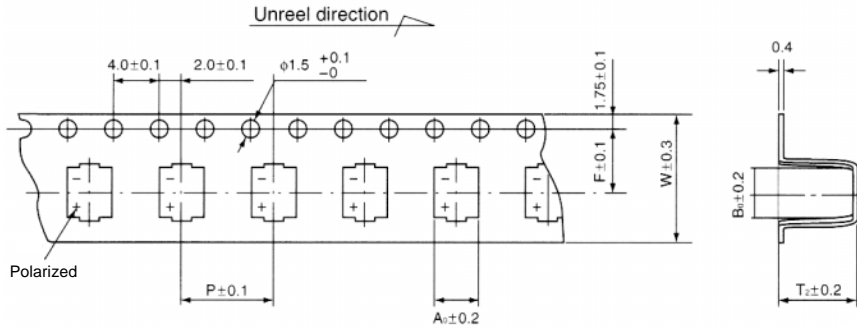


## Taping Specifications for Chip Type Capacitors

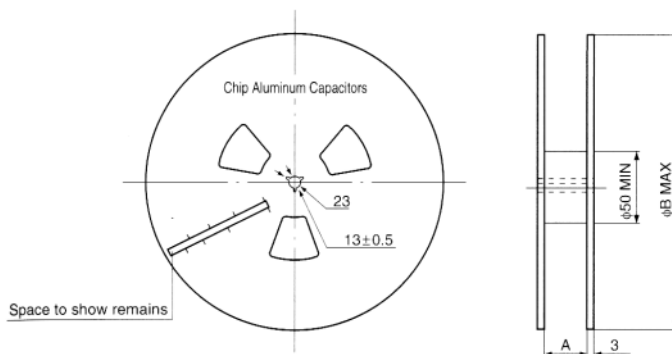
### ● Carrier tape

(For  $\phi 3 \sim \phi 10$ )



Size	Item						Series
	W	P	F	A <sub>0</sub>	B <sub>0</sub>	T <sub>2</sub>	
$\phi 3 \times 5.4L$	12.0	8.0	5.5	3.5	3.6	5.8	WX, WT
$\phi 4 \times 5.4L$	12.0	8.0	5.5	5.0	5.0	5.8	
$\phi 5 \times 5.4L$	12.0	12.0	5.5	6.0	6.0	5.8	
$\phi 6.3 \times 5.4L$	16.0	12.0	7.5	7.0	7.0	5.8	
$\phi 8 \times 5.4L$	16.0	12.0	7.5	8.7	8.7	5.8	
$\phi 4 \times 5.8L$	12.0	8.0	5.5	5.0	5.0	6.3	WT, UR, UD
$\phi 5 \times 5.8L$	12.0	12.0	5.5	6.0	6.0	6.3	
$\phi 6.3 \times 5.8L$	16.0	12.0	7.5	7.0	7.0	6.3	
$\phi 6.3 \times 6.2L$	16.0	12.0	7.5	7.0	7.0	6.3	WT, UR, UD
$\phi 8 \times 6.2L$	16.0	12.0	7.5	8.7	8.7	6.8	
$\phi 6.3 \times 7.7L$	16.0	12.0	7.5	7.0	7.0	8.0	
$\phi 8 \times 10L$	24.0	16.0	11.5	8.7	8.7	11.0	
$\phi 10 \times 10L$	24.0	16.0	11.5	10.7	10.7	11.0	

### ● Reel



Package quantity

$\phi D$	Q'ty / reel
3, 4	2000pcs.
5, 6.3	1000pcs.
6.3×7.7	900pcs.
8×5.4, 8×6.2, 8×7	1000pcs.
8×10, 10×8, 10×10	500pcs.

$\phi D$	3, 4	5	6.3	8×5.4, 8×6.2, 8×7	8×10, 10×8, 10×10
A	14	14	18	18	26
B	382	382	382	382	382